

# Customer Care Solutions

## NHL-4J Series Transceivers

# Service tools

[This page left intentionally blank]

## Table of Contents

	<b>Page No</b>
MJF-13 Docking Adapter .....	4
MJS-38 Module Test Jig .....	5
MJS-90 Soldering Jig .....	6
SRT-10 Camera Removal Tool.....	7
SES-3 Rework Stencil 0770558 .....	8
FPS-8 Flash Prommer (Sales Pack) .....	9
FPS-8C Parallel Flash Prommer (Sales Pack) .....	10
ACF-8 Universal Power Supply .....	11
FLA-27 POS (Point Of Sale) Flash Loading Adapter .....	12
FLC-2 DC Cable .....	13
AXS-4 Service Cable .....	14
XCS-1 Service Cable .....	15
SW Security Device PKD-1 .....	16
FLS-4S POS (Point Of Sale) Flash Device (Sales Pack) .....	17
PCS-1 Power Cable .....	18
XRF-1 RF Cable .....	19
DAU-9S MBUS Cable .....	20
CA-5S DC Cable .....	21
XCS-4 Modular Cable .....	22
Printer Cable .....	23

## MJF-13 Docking Adapter

The MJF-13 Docking Station has been designed for calibration and software update use. The Docking Station Adapter makes signal connections to the phone.

MJF-13 main electric functions include:

- adjustable VBATT calibration voltage, current measurement limit voltage "VCHAR", current measurement calibration current "ICHAR"
- adjustable ADC calibration voltage via BTEMP and BSI signal
- BTEMP and BSI calibration resistor
- signals from FBUS to the phone via parallel jig
- control via FBUS or USB
- Flash OK/FAIL indication

In calibration mode MJF-13 is powered by external power supply 11-16V DC. In flashing power for the phone can be taken from FPS-8 or external power supply 11-16V DC.

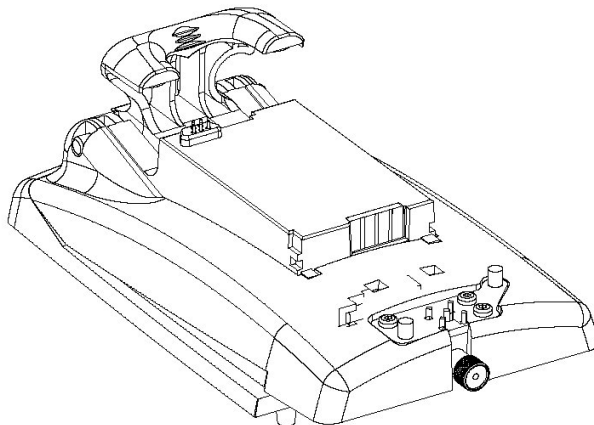
MJF-13 main electric functions are:

- phone recognizing from BTEMP
- filters of FBUS signals
- SIM CARD reader

### Product Code

MJF-13 Docking Station Adapter: 0770429

### View of MJF-13



## MJS-38 Module Test Jig

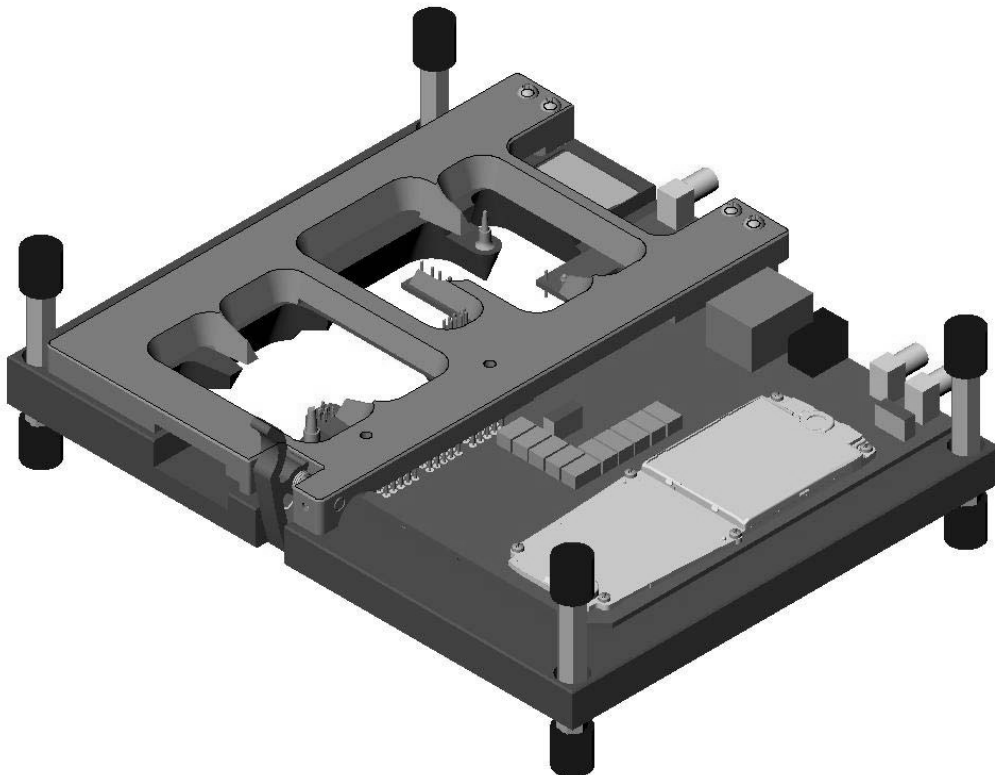
Module Testg Jig MJS-38 is designed for regional Central Services for TB3 module testing. It can be used for flashing and RF-, battery-, system-, radio- and SIM reader testing.

### Product Code

MJS-38 Module Test Jig:

0770416

### View of MJS-38



*Note: The nominal supply voltage for MJS-38 is +4.2 V.*

*The supply voltage must not exceed +5.0 V (min 3V).*

*(MJS-38 includes overvoltage, overcurrent and reversed polarity protection).*

*For flashing with FPS-8, it is possible to bypass the regulator*

*(jumper).*

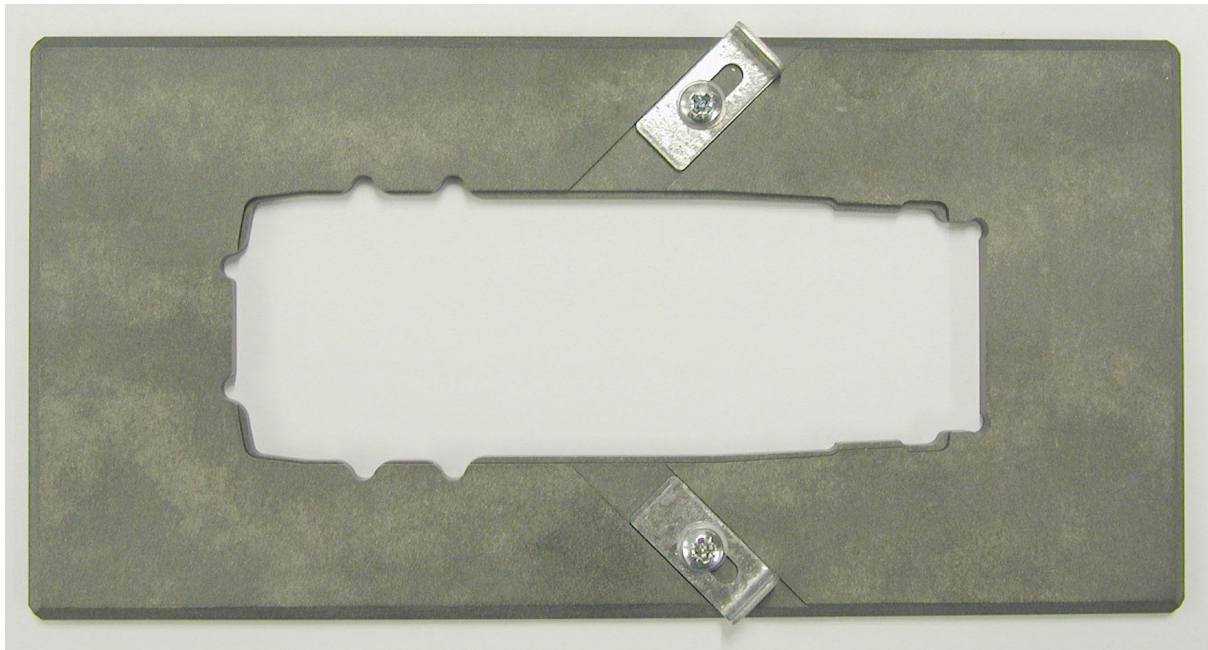
## MJS-90 Soldering Jig

MJS-90 Soldering Jig is used for soldering and as a rework jig for TB3 module.

### Product Code

MJS-90 Module Jig: 0770493

### View of MJS-90



## SRT-10 Camera Removal Tool

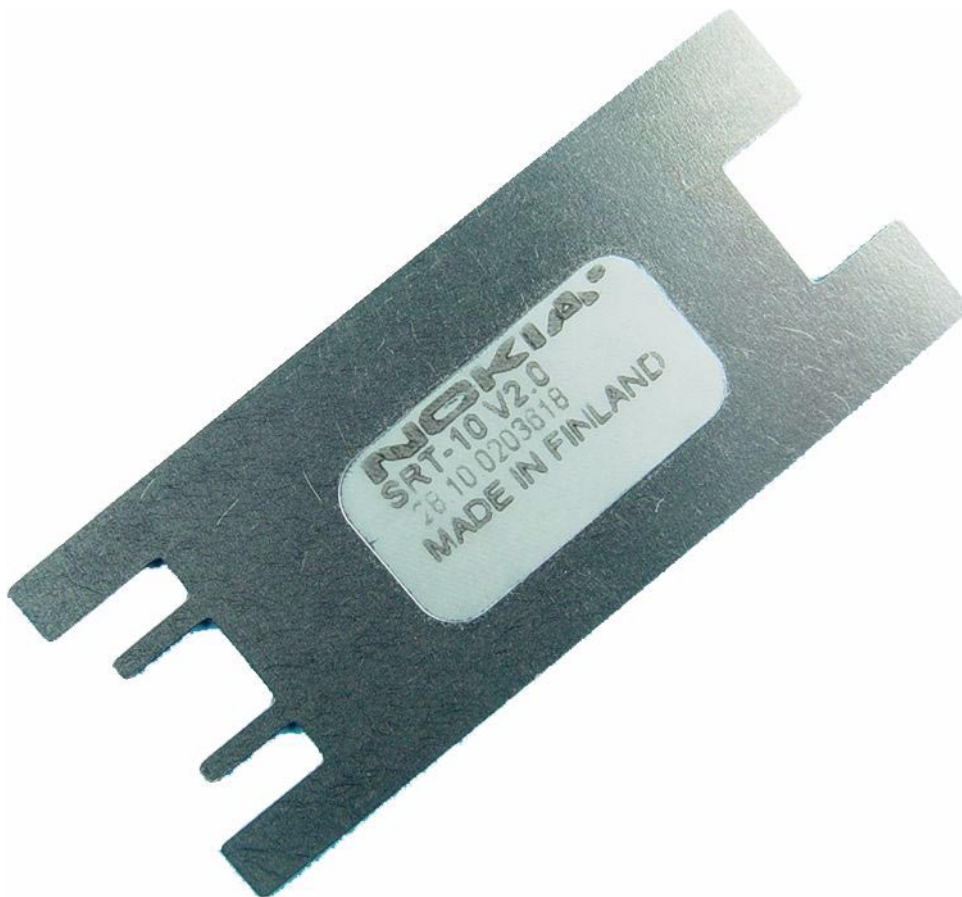
SRT-10 is used for disassembly and assembly of the camera.

### Product Code

SRT-10 Camera Removal Tool:

0770556

### View of SRT10



## **SES-3 Rework Stencil 0770558**

Rework Stencil is used for PA Chip N700 (LGA type component) rework.

It is used together with Rework Jig MJS-76 and SPS-1 Soldering Paste Spreader.

The tools needed for rework include:

MJS-76 Rework Jig: 0770417

SES-3 Stencil: 0770558

SPS-1 Soldering Paste Spreader: 0770381



## FPS-8 Flash Prommer (Sales Pack)

The Flash Prommer FPS-8 is used with e.g. MJF-13 and JVB-1. Power is supplied to FPS-8 from the Universal Power Supply.

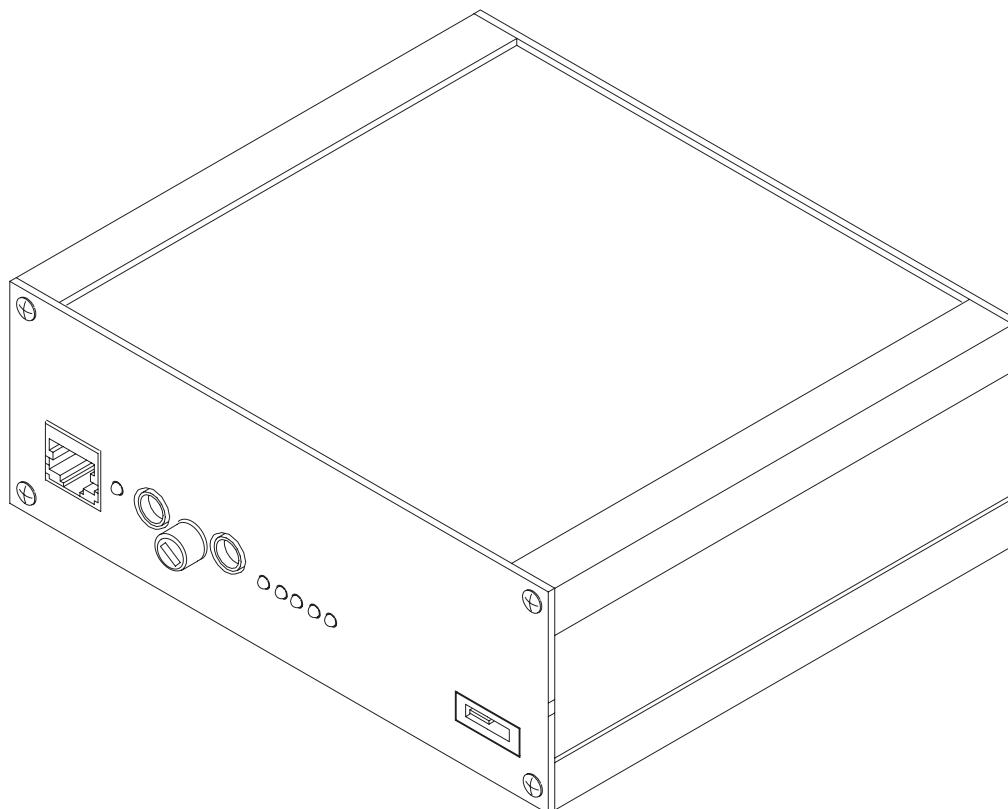
The sales pack includes:

- FPS-8 Flash Prommer 0750123
- FPS-8 Activation Sheet 9359289
- Universal Power Supply 0680032
- AXS-4 Service Cable (D9-D9)0730090
- Printer cable 0730029

### Sales package code

FPS-8 Flash Prommer: 0080321

### View of FPS-8



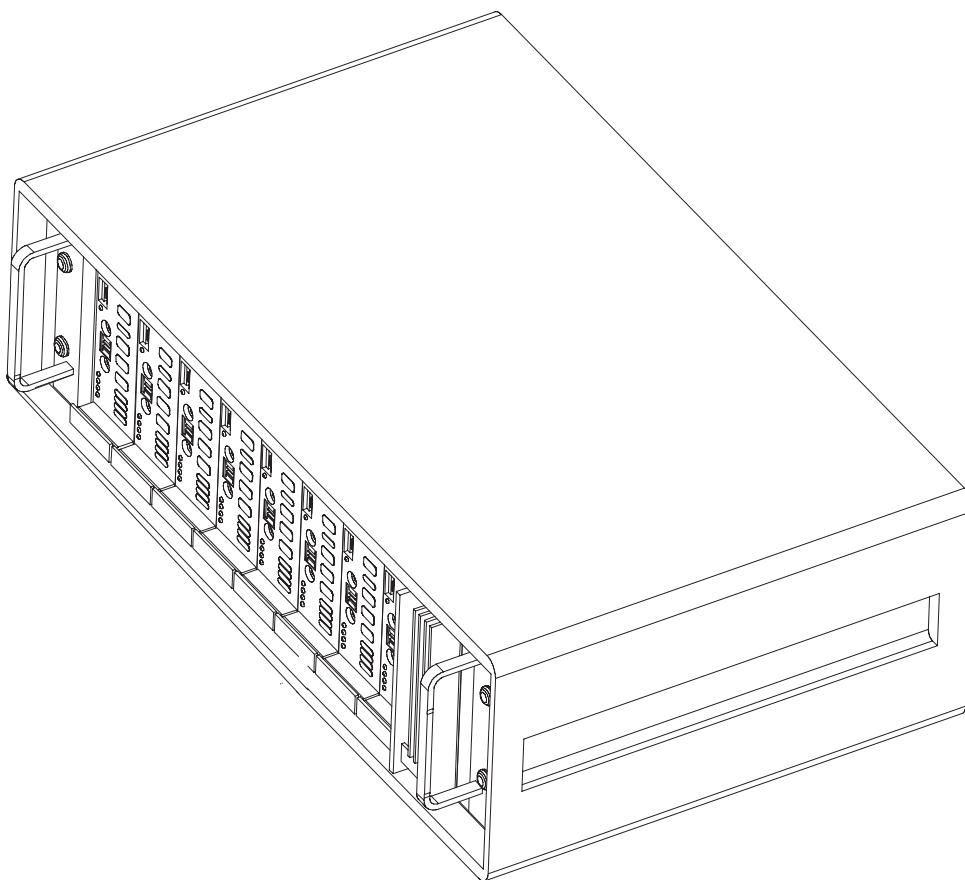
## FPS-8C Parallel Flash Prommer (Sales Pack)

The Parallel Flash Prommer FPS-8C is used with MJF-13 and JVB-1. Flash programming can be done to maximum of 8 phones parallel. FPS-8C consists of eight SF11C programming cards. SF11C card is functionally identical to FPS-8.

### Sales package code

FPS-8C Parallel Flash Prommer: 0080396

### View of FPS-8C



## ACF-8 Universal Power Supply

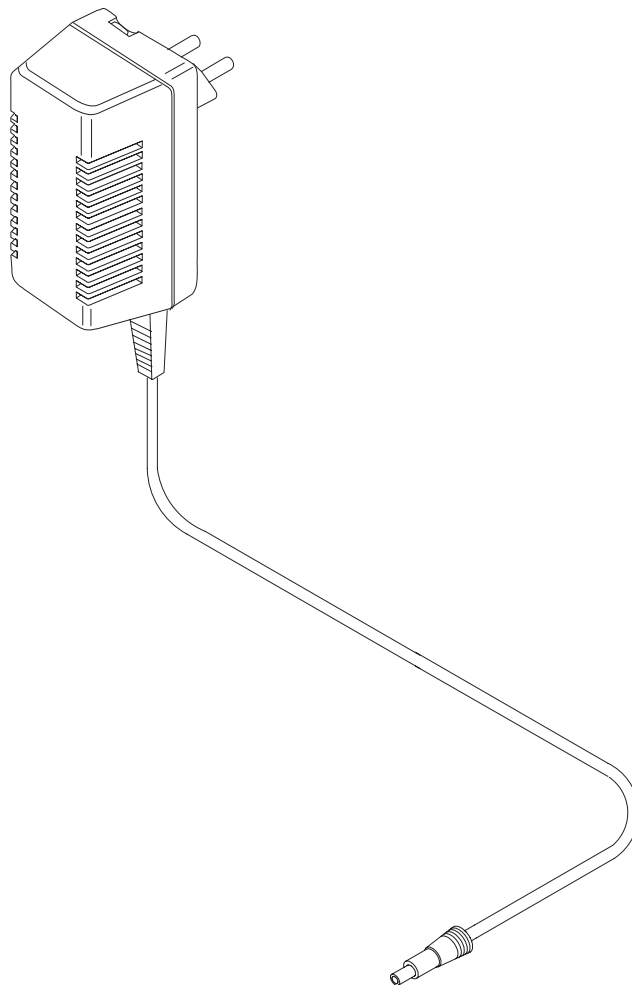
ACF-8 Universal Power Supply is used to power FPS-8. ACF-8 has 6 V DC and 2.1 A output.

### Product Code

ACF-8 Universal Power Supply:

0680032

### View of ACF-8



## FLA-27 POS (Point Of Sale) Flash Loading Adapter

FLA-27 POS Flash Loading Adapter is used in place of the phone's normal battery during service, to supply a controlled operating voltage.

### Product Code

FLA-27 POS Flash Loading Adapter: 0770492

### View of FLA-27



## FLC-2 DC Cable

The FLC-2 is used to supply a controlled operating voltage.

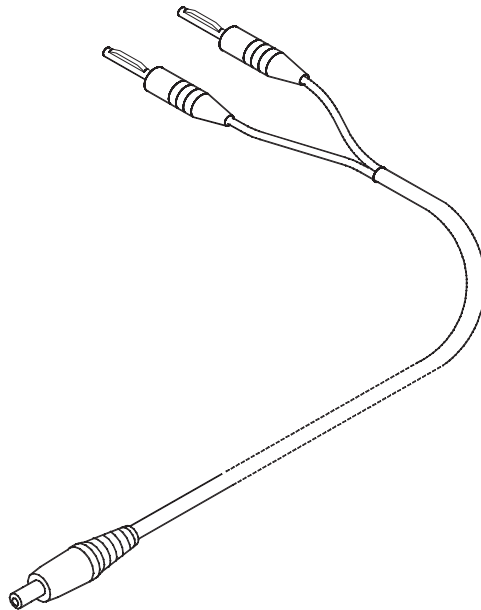
### Product Code

FLC-2 DC Cable:

0730185

### View of FLC-2

-



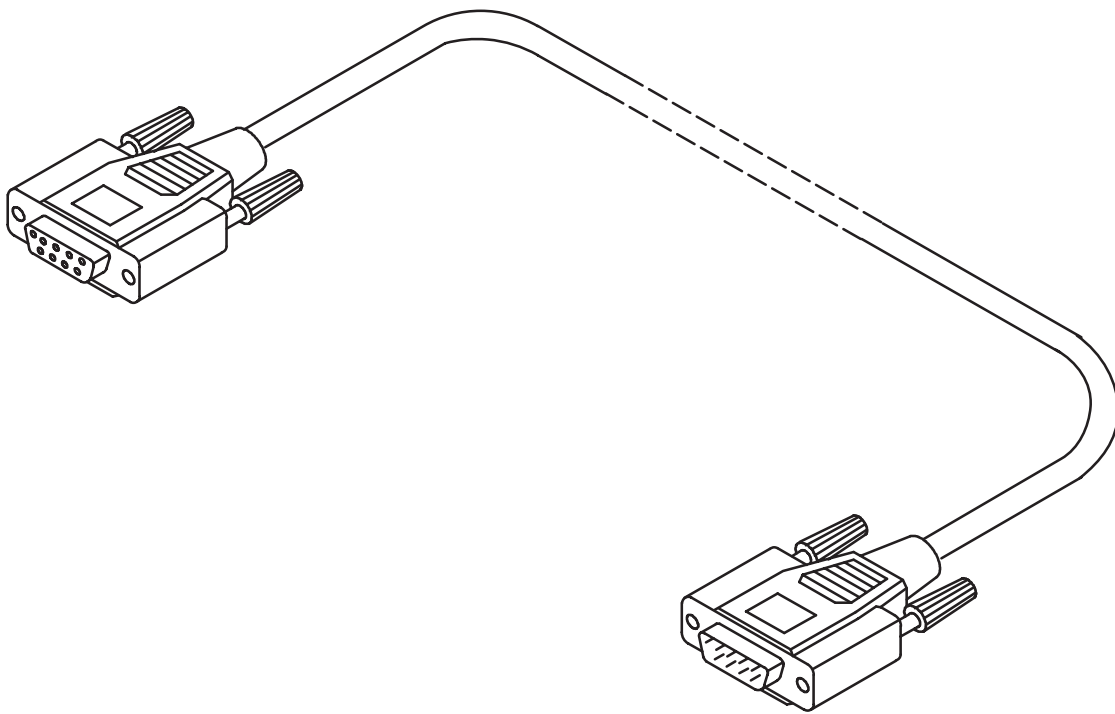
## AXS-4 Service Cable

The AXS-4 D9-D9 Service Cable is used to connect two 9 pin D connectors e.g. between PC and FPS-8. Cable length is 2 meters.

### Product code

AXS-4 D9-D9 Service Cable: 0730090

### View of AXS-4



## XCS-1 Service Cable

The XCS-1 Service Cable is used to connect FLS-4 to FLA-27.

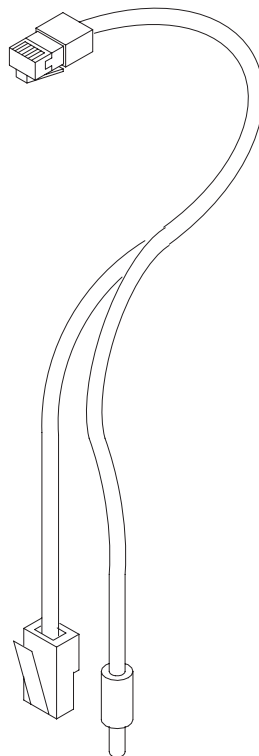
### Product code

XCS-1 Service Cable:

0730218

### View of XCS-1

-1



## SW Security Device PKD-1

SW security device is a piece of hardware enabling the use of the service software when connected to the parallel (LPT) port of the PC. Without the dongle present it is not possible to use the service software. Printer or any such device can be connected to the PC through the dongle if need ed.

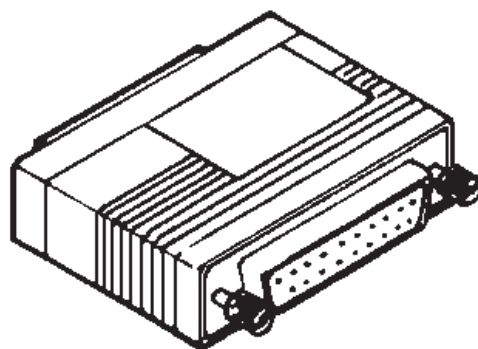
*Caution: Make sure that you have switched off the PC and the printer before making connections!*

*Caution: Do not connected the PKD-1 to the serial port. You may dam age your PKD-1!*

### Product Code

SW Security Device PKD-1: 0750018

### View of SW Security Device



**G0750018**



## FLS-4S POS (Point Of Sale) Flash Device (Sales Pack)

FLS-4S is a dongle and flash device incorporated into one package, developed specifically for POS use.

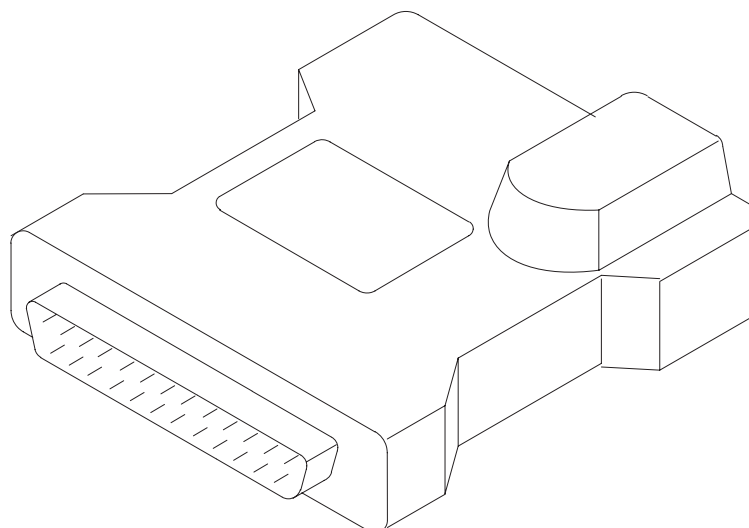
### Product Code

Sales Pack - Europe/Africa 0080541

Sales Pack - APAC 0080542

Sales Pack- US 0080543

### View of FLS-4S



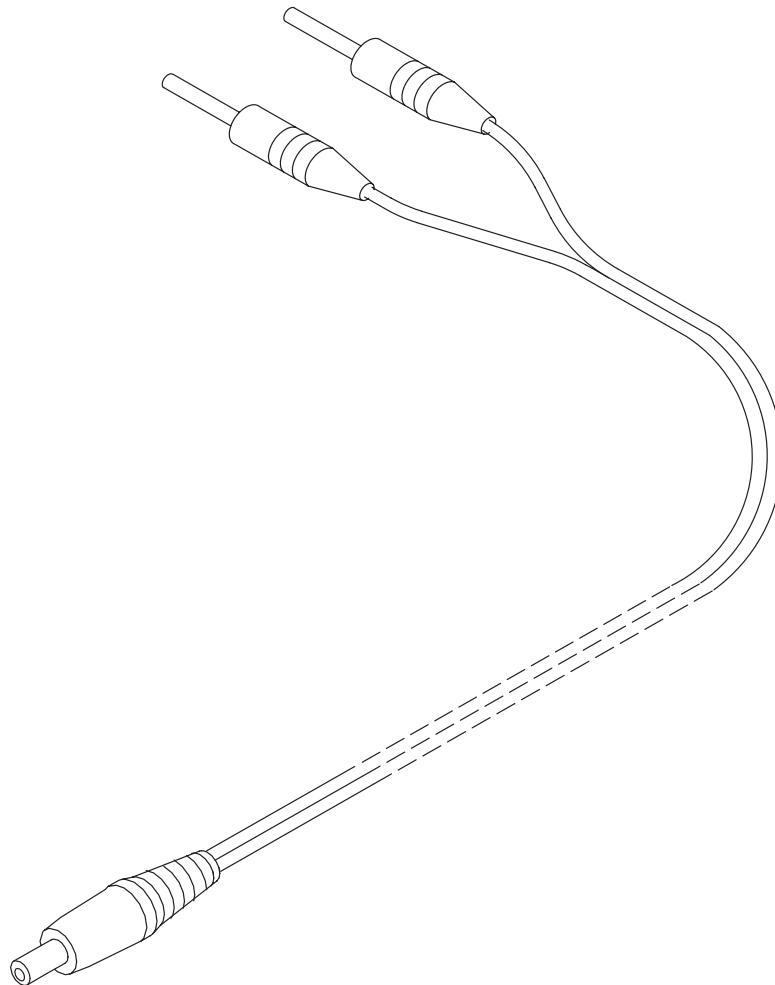
## PCS-1 Power Cable

The PCS-1 Power Cable (DC) is used to connect e.g. JVB-1 to FPS-8.

### Product Code

PCS-1 Power Cable: 0730012

### View of PCS-1



## XRF-1 RF Cable

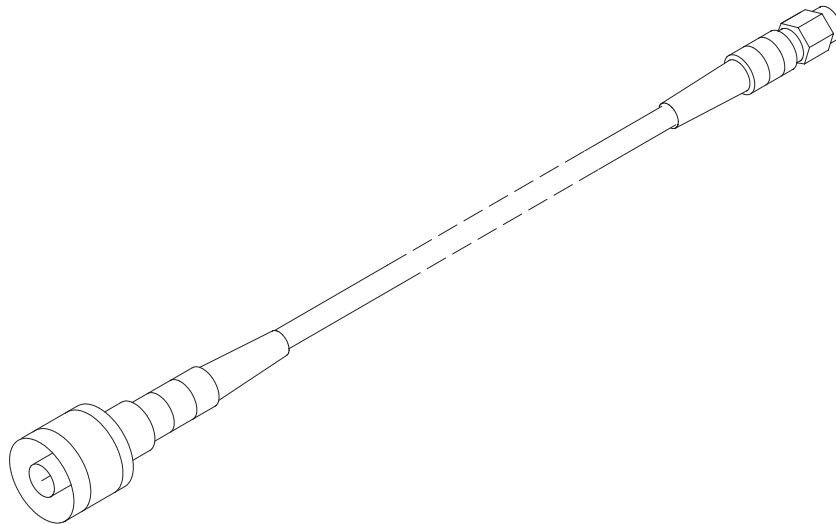
RF cable XRF-1 is used to connect e.g. Module Jig MJS-38 to RF measurement equipment..

### Product code

XRF-1 RF Cable:

0730085

### View of XRF-1



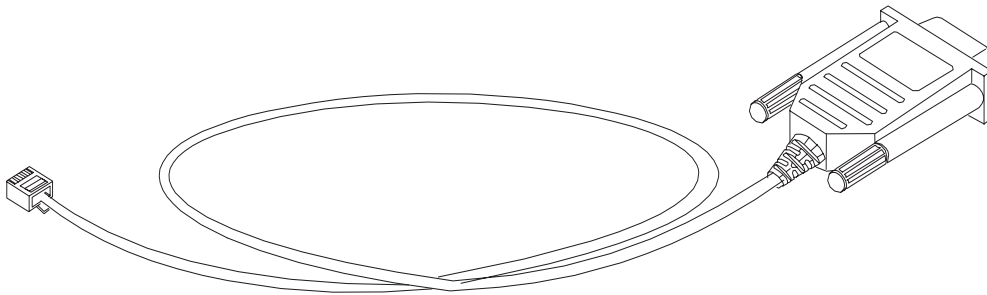
## DAU-9S MBUS Cable

The MBUS Cable DAU-9S has a modular connector, and is used with between PC's serial port and e.g. Module Jig MJS-38.

### Product Code

DAU-9S MBUS Cable: 0730108

### View of DAU-9S



## CA-5S DC Cable

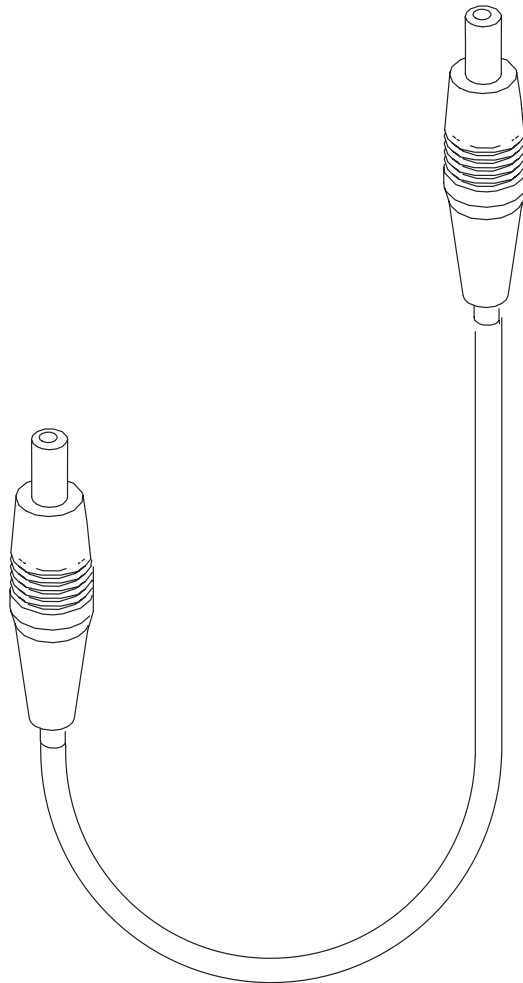
The DC Cable CA-5S is used to connect e.g. JVB-1 to the phone.

### Product Code

CA-5S DC Cable: 0730283

### View of CA-5S

-3



## XCS-4 Modular Cable

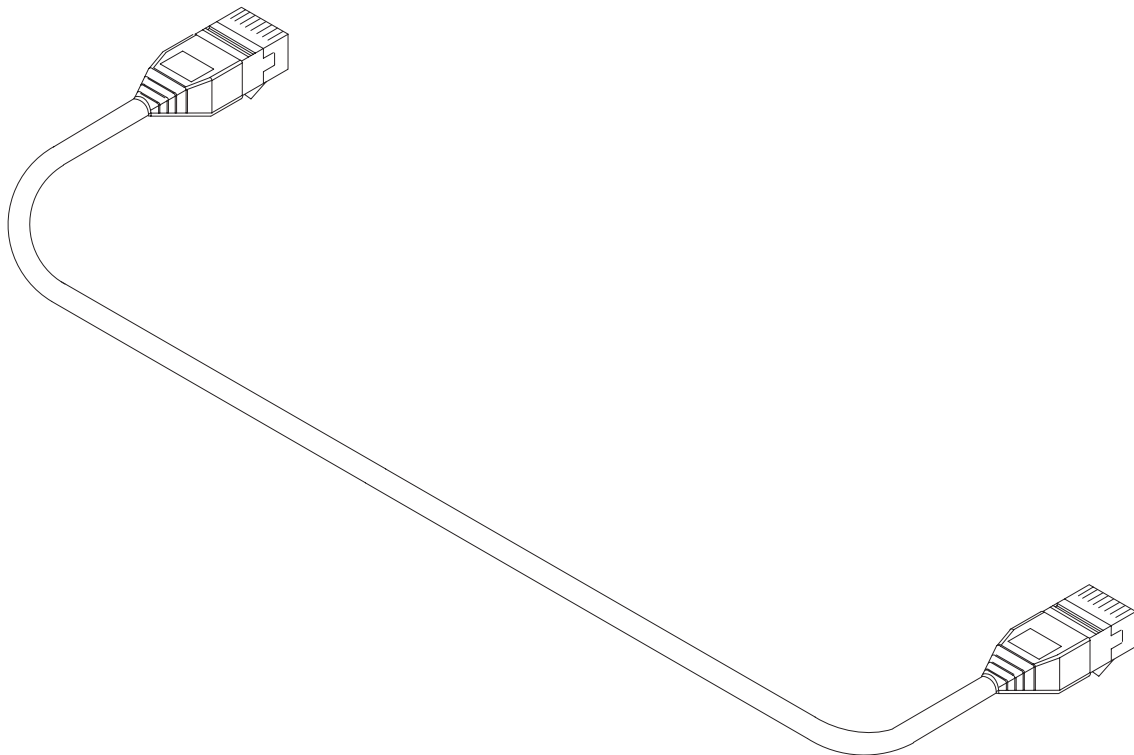
XCS-4 is a shielded cable (one specially shielded conductor) modular cable for flashing and service purposes.

### Product code

XCS-4 Modular Cable:

0730178

### View of XCS-4



## Printer Cable

This cable is used to connect the PC to FPS-8.

### Product code

Printer Cable:

0730029

### View of Printer Cable

